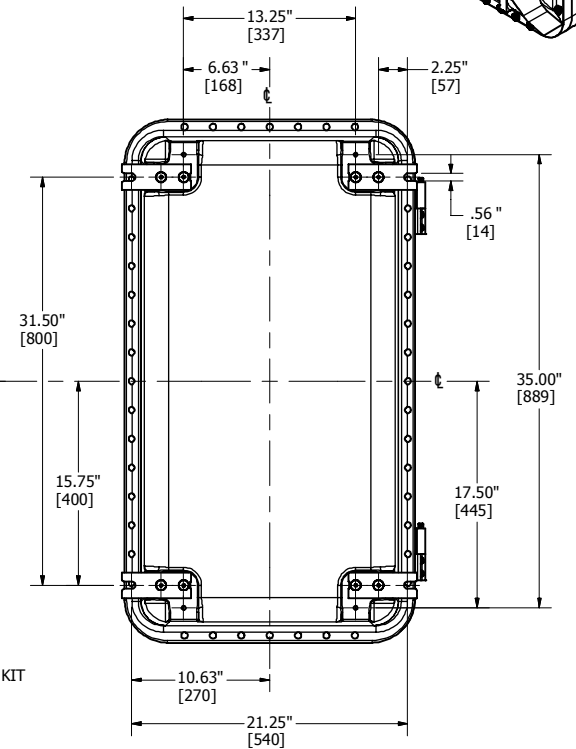
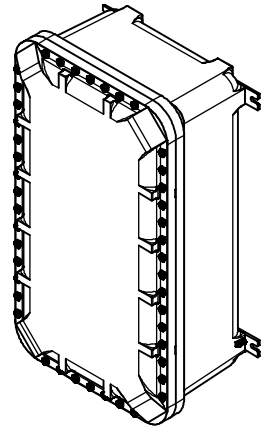


GROUNDING KIT  
(OPTIONAL)



MOUNTING FEET



EXB-183610